


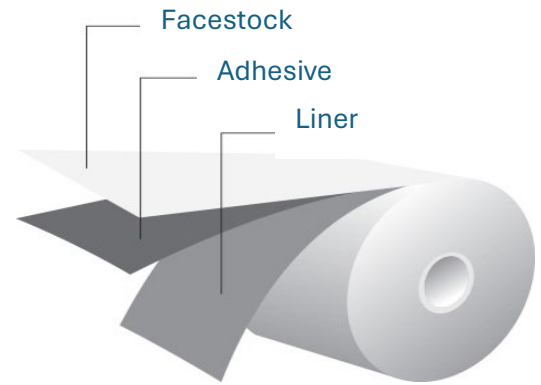


WHITE MATTE BOPP 108 μ m	
EMULSION ACRYLIC TA1	
GLASSINE 80g/m ²	



Description

The white matte BOPP with heavy top-coating for aqueous inkjet printing ensure premium printing quality and instant dry. Great for variable graphics labelling applications. The emulsion acrylic glue is good for general application includes label for cosmetic, perfume, drinks, etc.

Facestock

White matte BOPP with aqueous IJ TC

Caliper (μ m) ISO 534	110 (\pm 5%)
Finish (gloss level @60 \circ)	6 (\pm 2)

Adhesive

Emulsion Acrylic

Caliper (μ m)	19 (\pm 1)
Initial Tack (N/in) FTM 9 (Glass)	\geq 9
90 $^\circ$ Peel Adhesion (N/in) FTM 2 (Steel)	\geq 6
Shear 9.8N/in ² (hours) FTM 3	\geq 15
Minimum Application Temperature ($^\circ$ C)	5
Service Temperature ($^\circ$ C)	-20 to 80

Liner

White glassine paper.

Caliper (μ m) ISO 536	62 (\pm 4%)
Weight (g/m ²) ISO 534	78 (\pm 4%)
Release Force (gf)	15 to 35

Storage Information

Must be stored in temperature of 23 (\pm 2) $^\circ$ C and humidity 50 (\pm 5) %.

Printing Processes

Flexo / Letter Press (Y), Offset (Y), Screen Off (Y), Thermal Transfer (test before print), Direct Thermal (N), UV Inkjet (test before print), Laser Jet / Dry Toner (test before print), HP Indigo (test before print), Aqueous inkjet(Y).