


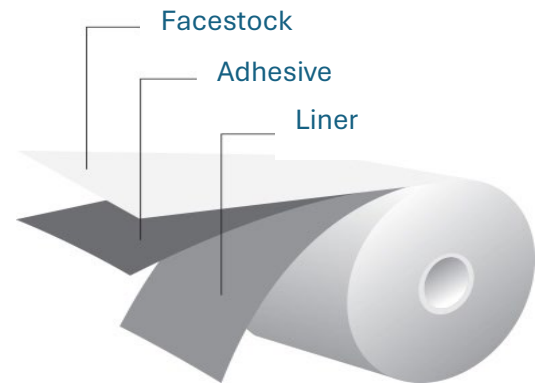


CLEAR GLOSS PE 80 μ m	
ACRYLIC EMULSION TA1	
GLASSINE 60g/m ²	



Description

The clear gloss PE face film is coated for traditional printing like flexo and screen printing. The PE label is especially suitable for squeezable bottles and other flexible containers due to its flexibility. The emulsion acrylic glue TA1 is good for general application including label for beauty, home & personal care products, beverage, logistics, etc.

Facestock

Top Coated Clear Glossy PE

Caliper (μ m) ISO 534	80 (\pm 4%)
Finish (gloss level @60°)	\geq 90

Adhesive

Emulsion Acrylic

Caliper (μ m)	19 (\pm 1)
Initial Tack (N/in) FTM 9 (Glass)	\geq 9
90° Peel Adhesion (N/in) FTM 2 (Steel)	\geq 6
Shear 9.8N/in ² (hours) FTM 3	\geq 15
Minimum Application Temperature (°C)	5
Service Temperature (°C)	-20 to 80

Liner

White glassine paper.

Caliper (μ m) ISO 534	52 (\pm 4%)
Weight (g/m ²) ISO 536	58 (\pm 4%)
Release Force (gf)	15 to 35

Storage Information

Must be stored at temperature of 23 (\pm 2) °C and humidity 50 (\pm 5) %.

Printing Processes

Flexo / Letter Press (Y), Offset (Y), Screen Off (Y), Thermal Transfer (N), Direct Thermal (N), UV Inkjet (N), Laser Jet / Dry Toner (N), HP Indigo (works on roll-to-roll indigo machine with pre-coating).