


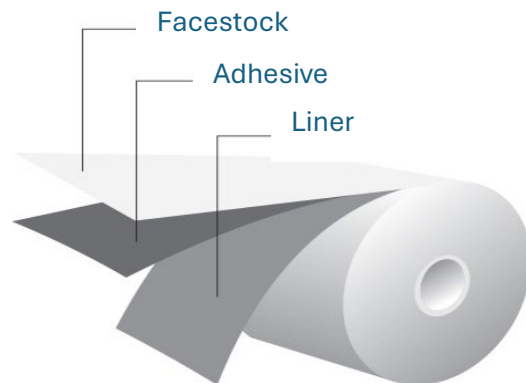


WHITE GLOSS PET 50 μ	
ACRYLIC SUPER TACK TS1	
GLASSINE 80g/m ²	



Description

The coated white gloss PET film is good for traditional printing like flexography and screen printing. The material can be used for general application including beverages, cosmetics and beauty, home & personal care, etc., is also recommended for high-end/durable labels, like electronic components and appliances.

Facestock

Top Coated White Gloss PET

Caliper (μ m) ISO 534	50 (\pm 4%)
Finish (gloss level @60 \circ)	\geq 90

Adhesive

Super Tack Acrylic

Caliper (μ m)	20 (\pm 1)
Initial Tack (N/in) FTM 9 (Glass)	\geq 12
90 $^\circ$ Peel Adhesion (N/in) FTM 2 (Steel)	\geq 9
Shear 9.8N/in ² (hours) FTM 3	\geq 15
Minimum Application Temperature ($^\circ$ C)	0
Service Temperature ($^\circ$ C)	-20 to 120

Liner

White glassine paper

Caliper (μ m) ISO 534	62 (\pm 4%)
Weight (g/m ²) ISO 536	78 (\pm 4%)
Release Force (gf)	15 to 35

Storage Information

Must be stored at temperature of 23 (\pm 2) $^\circ$ C and humidity 50 (\pm 5) %.

Printing Processes

Flexo / Letter Press (Y), Offset (Y), Screen Off (Y), Thermal Transfer (Y), Direct Thermal (N), UV Inkjet (test before print), Laser Jet / Dry Toner (Y), HP Indigo (works on roll-to-roll indigo machine with pre-coating).