


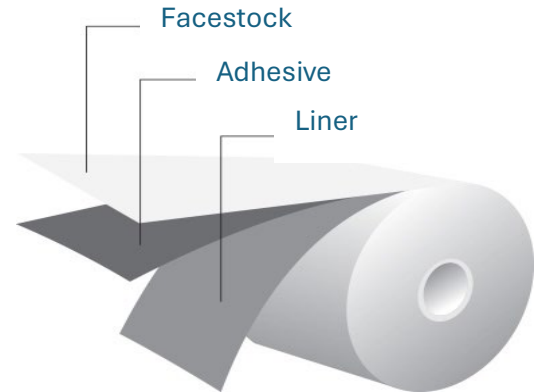


SEMI-GLOSS ART PAPER 80 G/M <sup>2</sup>	
ACRYLIC EMULSION TA1	
GLASSINE 60g/m <sup>2</sup>	



### Description

The clay coated semi-gloss paper works well on conventional printing technologies, like flexography, offset, screen, regular thermal transfer and UV digital. The emulsion acrylic glue TA1 is good for general application includes label for beauty, home & personal care products, beverage, logistics, etc.

### Facestock

Semi-Gloss Paper

Caliper (µm) ISO 534	70 (± 5%)
Weight (g/m <sup>2</sup> ) ISO 536	80 (± 5%)
Finish (gloss level @60°)	≥ 35
Whiteness (%) ISO 2470	88%

### Adhesive

Emulsion Acrylic

Caliper (µm)	18 (± 1)
Initial Tack (N/in) FTM 9 (Glass)	≥ 14
90° Peel Adhesion (N/in) FTM 2 (Steel)	≥ 7
Shear 9.8N/in <sup>2</sup> (hours) FTM 3	≥ 12
Minimum Application Temperature (°C)	0
Service Temperature (°C)	-20 to 80

### Liner

White Glassine Paper

Caliper (µm) ISO 534	52 (± 4%)
Weight (g/m <sup>2</sup> ) ISO 536	58 (± 4%)
Release Force (gf)	15 to 35

### Storage Information

Must be stored at temperature of 23 (±2) °C and relative humidity of 50 (±5) %.

### Printing Processes

Flexo / Letter Press (Y), Offset (Y), Screen Off (Y), Thermal Transfer (Y), Direct Thermal (N), UV Inkjet (Y), Laser Jet / Dry Toner (Y), HP Indigo (works on roll-to-roll indigo machine with pre-coating).