


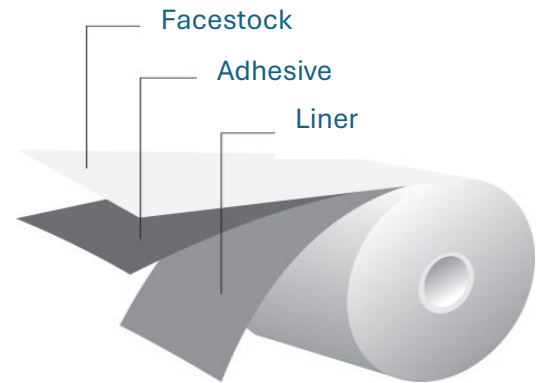


CLEAR GLOSS BOPP 50 $\mu$ m	
ACRYLIC EMULSION TA1	
GLASSINE 60g/m <sup>2</sup>	



### Description

The clear gloss BOPP face film is coated for conventional printing like flexography, offset, screen printing. The emulsion acrylic glue TA1 is good for general application including label for beauty, home & personal care products, beverage, logistics, etc.

### Facestock

Top Coated Clear Glossy BOPP

Caliper ( $\mu$ m) ISO 534	50 ( $\pm$ 5%)
Finish (gloss level @60 $\circ$ )	$\geq$ 90

### Adhesive

Emulsion Acrylic

Caliper ( $\mu$ m)	19 ( $\pm$ 1)
Initial Tack (N/in) FTM 9 (Glass)	$\geq$ 9
90 $^\circ$ Peel Adhesion (N/in) FTM 2 (Steel)	$\geq$ 6
Shear 9.8N/in <sup>2</sup> (hours) FTM 3	$\geq$ 15
Minimum Application Temperature ( $^\circ$ C)	5
Service Temperature ( $^\circ$ C)	-20 to 80

### Liner

White glassine paper.

Caliper ( $\mu$ m) ISO 534	52 ( $\pm$ 4%)
Weight (g/m <sup>2</sup> ) ISO 536	58 ( $\pm$ 4%)
Release Force (gf)	15 to 35

### Storage Information

Must be stored at temperature of 23 ( $\pm$ 2)  $^\circ$ C and humidity 50 ( $\pm$ 5) %.

### Printing Processes

Flexo / Letter Press (Y), Offset (Y), Screen Off (Y), Thermal Transfer (test before print), Direct Thermal (N), UV Inkjet (test before print), Laser Jet / Dry Toner (Y), HP Indigo (works on roll-to-roll indigo machine with pre-coating).